

**A LUXECASTING INNOVATION PROGRAM PRODUCT**



## TECHNICAL INFORMATION

# EAZYLOK®+

### Coupling Material:

- Stainless Steel (1.4408)
- Aluminium (6061/6082)
- Brass (Hpb57-3)

### Coupling Gasket:

- SS couplings : CSM
- AL and BR couplings: NBR

### Thread Gasket

- SS couplings : PTFE
- AL and BR couplings : NBR

### Working Pressure:

- PN25

### Size:

- From 3/4" up to 4", other sizes can be customized

### TYPE B:



### TYPE D:



### TYPE C:



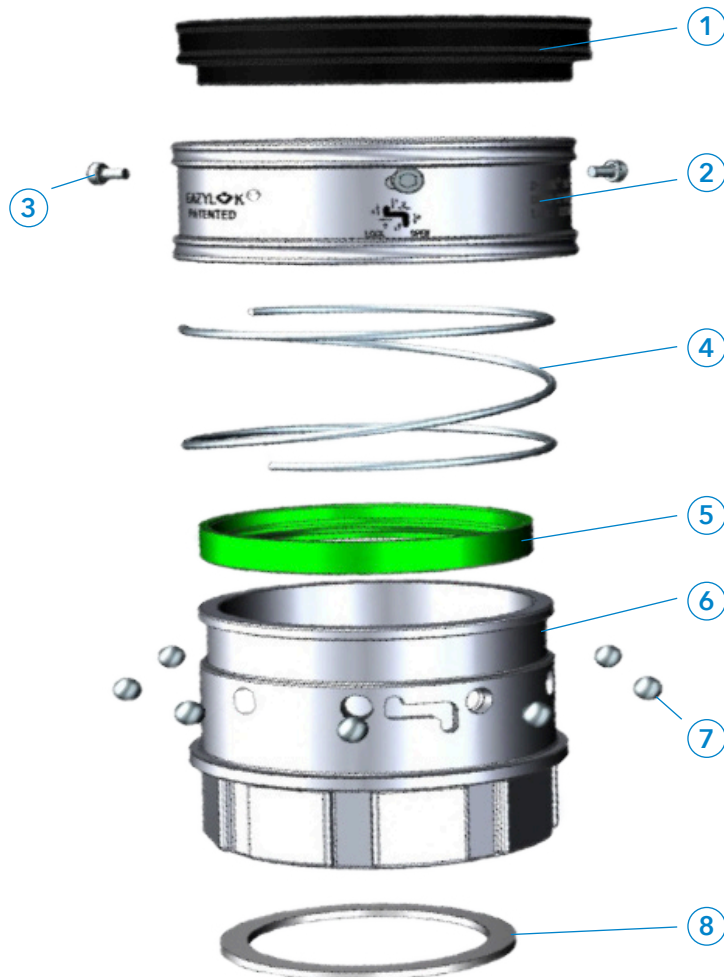
### TYPE BW:



## TECHNICAL INFORMATION

### EAZYLOK®+

- ① Protection Cover
- ② Lock ring
- ③ Screw
- ④ Spring
- ⑤ Gasket
- ⑥ Main Body
- ⑦ Ball
- ⑧ Thread Gasket



#### Compared with Camlock, EAZYLOK® has the following characteristics:

1. Without handles, EAZYLOK® is a push & pull connection coupling, 100% compatible with male camlock heads and can withstand higher pressure.
2. The connection and disconnection of the EAZYLOK® coupling is quick and can be done in a small space.
3. The connection is ensured by a uniform force that keeps the male part centred and avoids the risk of leakage or misalignment.
4. The head protective cover has an anti-drop function. With several possible colours you can identify each EAZYLOK® according to the fluids conveyed.
5. With the EAZYLOK® version we have added a secure locking system to prevent accidental disconnection.

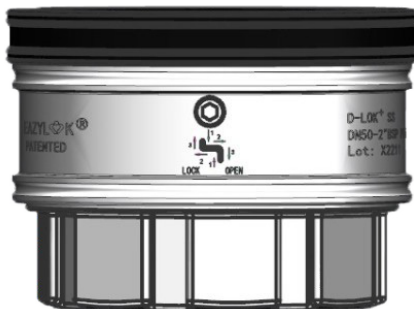
## TECHNICAL INFORMATION

### EAZYLOK®+



#### OPEN:

1. Move the lock ring downward according to the direction of the "1" arrow
2. Turn the lock ring to the right according to the direction of the "2" arrow
3. Move the lock ring downward according to the direction of the "3" arrow

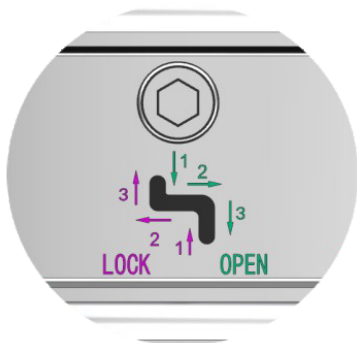


At this time the EAZYLOK®+ is in the open state and can put in the male part.

#### LOCK:

1. Move the lock ring upward according to the direction of the "1" arrow
2. Turn the lock ring to the left according to the direction of the "2" arrow
3. Move the lock ring upward according to the direction of the "3" arrow

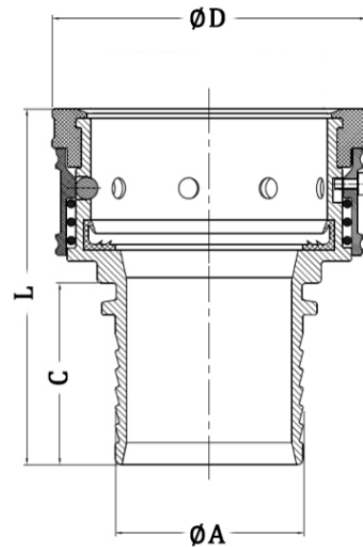
At this moment, the EAZYLOK®+ is closed and the male part is connected.





## TYPE C HOSETAIL EAZYLOK®+

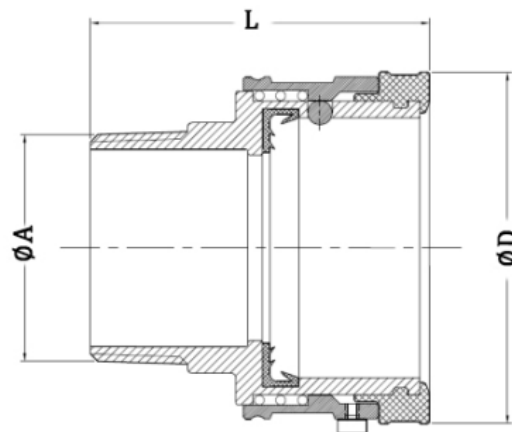
# EAZYLOK®+



| Part Number | Thread Size | Material        | A (mm) | C (mm) | D (mm) | L (mm) |
|-------------|-------------|-----------------|--------|--------|--------|--------|
| 643-C020    | 3/4"        | Stainless Steel | 19.5   | 42     | 51     | 79.5   |
| 643-C025    | 1"          | Stainless Steel | 25.5   | 42     | 56     | 77.5   |
| 643-C032    | 1¼"         | Stainless Steel | 32.5   | 42     | 67     | 86     |
| 643-C040    | 1½"         | Stainless Steel | 38.5   | 42     | 75     | 87     |
| 643-C050    | 2"          | Stainless Steel | 50.5   | 49     | 86.5   | 96     |
| 643-C065    | 2½"         | Stainless Steel | 63.5   | 63     | 101    | 113.5  |
| 643-C075    | 3"          | Stainless Steel | 75.5   | 67     | 118.5  | 118    |
| 643-C100    | 4"          | Stainless Steel | 101.6  | 96     | 149    | 150    |
| 644-C020    | 3/4"        | Aluminium       | 19.5   | 42     | 51     | 79.5   |
| 644-C025    | 1"          | Aluminium       | 25.5   | 42     | 56     | 77.5   |
| 644-C032    | 1¼"         | Aluminium       | 32.5   | 42     | 67     | 86     |
| 644-C040    | 1½"         | Aluminium       | 38.5   | 42     | 75     | 87     |
| 644-C050    | 2"          | Aluminium       | 50.5   | 49     | 86.5   | 96     |
| 644-C065    | 2½"         | Aluminium       | 63.5   | 63     | 101    | 113.5  |
| 644-C075    | 3"          | Aluminium       | 75.5   | 67     | 118.5  | 118    |
| 644-C100    | 4"          | Aluminium       | 101.6  | 96     | 149    | 150    |

## TYPE B BSPT EAZYLOK®+

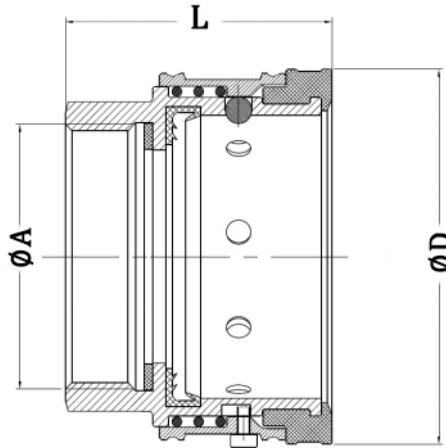
# EAZYLOK®+



| Part Number | Thread Size | Material        | D (mm) | L (mm) |
|-------------|-------------|-----------------|--------|--------|
| 643-B020    | 3/4"        | Stainless Steel | 51     | 52.5   |
| 643-B025    | 1"          | Stainless Steel | 56     | 57.5   |
| 643-B032    | 1¼"         | Stainless Steel | 67     | 69     |
| 643-B040    | 1½"         | Stainless Steel | 75     | 70     |
| 643-B050    | 2"          | Stainless Steel | 86.5   | 75     |
| 643-B065    | 2½"         | Stainless Steel | 101    | 81     |
| 643-B075    | 3"          | Stainless Steel | 118.5  | 89     |
| 643-B100    | 4"          | Stainless Steel | 149    | 96     |
| 644-B020    | 3/4"        | Aluminium       | 51     | 52.5   |
| 644-B025    | 1"          | Aluminium       | 56     | 57.5   |
| 644-B032    | 1¼"         | Aluminium       | 67     | 69     |
| 644-B040    | 1½"         | Aluminium       | 75     | 70     |
| 644-B050    | 2"          | Aluminium       | 86.5   | 75     |
| 644-B065    | 2½"         | Aluminium       | 101    | 81     |
| 644-B075    | 3"          | Aluminium       | 118.5  | 89     |
| 644-B100    | 4"          | Aluminium       | 149    | 96     |

## TYPE D BSPP EAZYLOK®+

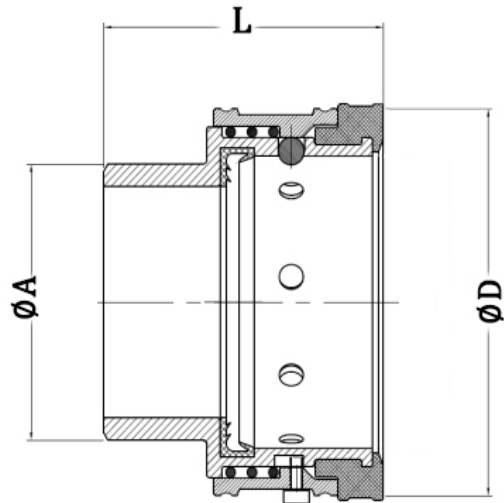
# EAZYLOK®+



| Part Number | Thread Size | Material        | D (mm) | L (mm) |
|-------------|-------------|-----------------|--------|--------|
| 643-D020    | 3/4"        | Stainless Steel | 51     | 39.5   |
| 643-D025    | 1"          | Stainless Steel | 56     | 44.5   |
| 643-D032    | 1¼"         | Stainless Steel | 67     | 50.5   |
| 643-D040    | 1½"         | Stainless Steel | 75     | 55.5   |
| 643-D050    | 2"          | Stainless Steel | 86.5   | 61     |
| 643-D065    | 2½"         | Stainless Steel | 101    | 64     |
| 643-D075    | 3"          | Stainless Steel | 118.5  | 67.5   |
| 643-D100    | 4"          | Stainless Steel | 149    | 66     |
| 644-D020    | 3/4"        | Aluminium       | 51     | 39.5   |
| 644-D025    | 1"          | Aluminium       | 56     | 44.5   |
| 644-D032    | 1¼"         | Aluminium       | 67     | 50.5   |
| 644-D040    | 1½"         | Aluminium       | 75     | 55.5   |
| 644-D050    | 2"          | Aluminium       | 86.5   | 61     |
| 644-D065    | 2½"         | Aluminium       | 101    | 64     |
| 644-D075    | 3"          | Aluminium       | 118.5  | 67.5   |
| 644-D100    | 4"          | Aluminium       | 149    | 66     |

## TYPE BW BUTTWELD EAZYLOK®+

# EAZYLOK®+



| Part Number | Thread Size | Material        | A (mm) | D (mm) | L (mm) |
|-------------|-------------|-----------------|--------|--------|--------|
| 643-W020    | 3/4"        | Stainless Steel | 26.9   | 51     | 44.5   |
| 643-W025    | 1"          | Stainless Steel | 33.7   | 56     | 49.1   |
| 643-W032    | 1¼"         | Stainless Steel | 42.4   | 67     | 59     |
| 643-W040    | 1½"         | Stainless Steel | 48.3   | 75     | 60     |
| 643-W050    | 2"          | Stainless Steel | 60.3   | 86.5   | 65     |
| 643-W065    | 2½"         | Stainless Steel | 76.1   | 101    | 70     |
| 643-W075    | 3"          | Stainless Steel | 88.9   | 118.5  | 76     |
| 643-W100    | 4"          | Stainless Steel | 114.3  | 149    | 82     |
| 644-W020    | 3/4"        | Aluminium       | 26.9   | 51     | 44.5   |
| 644-W025    | 1"          | Aluminium       | 33.7   | 56     | 49.1   |
| 644-W032    | 1¼"         | Aluminium       | 42.4   | 67     | 59     |
| 644-W040    | 1½"         | Aluminium       | 48.3   | 75     | 60     |
| 644-W050    | 2"          | Aluminium       | 60.3   | 86.5   | 65     |
| 644-W065    | 2½"         | Aluminium       | 76.1   | 101    | 70     |
| 644-W075    | 3"          | Aluminium       | 88.9   | 118.5  | 76     |
| 644-W100    | 4"          | Aluminium       | 114.3  | 149    | 82     |