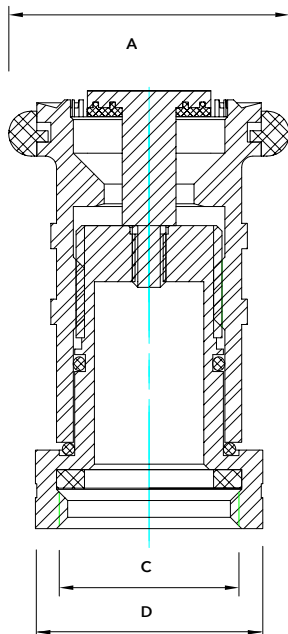
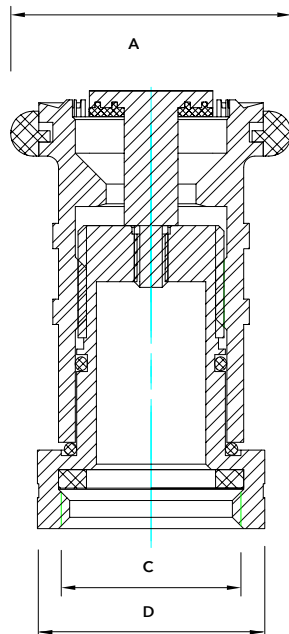


BRASS ADJUSTABLE FOG NOZZLE

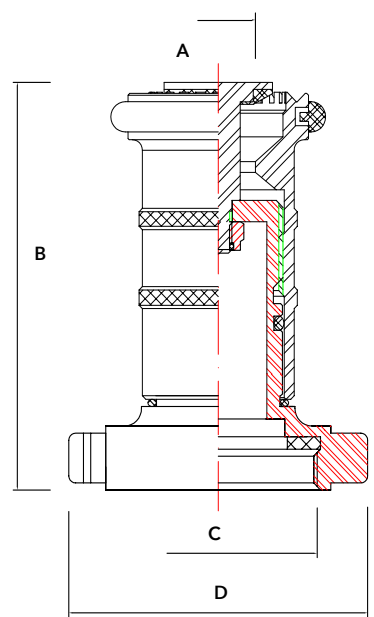
618-066



618-067



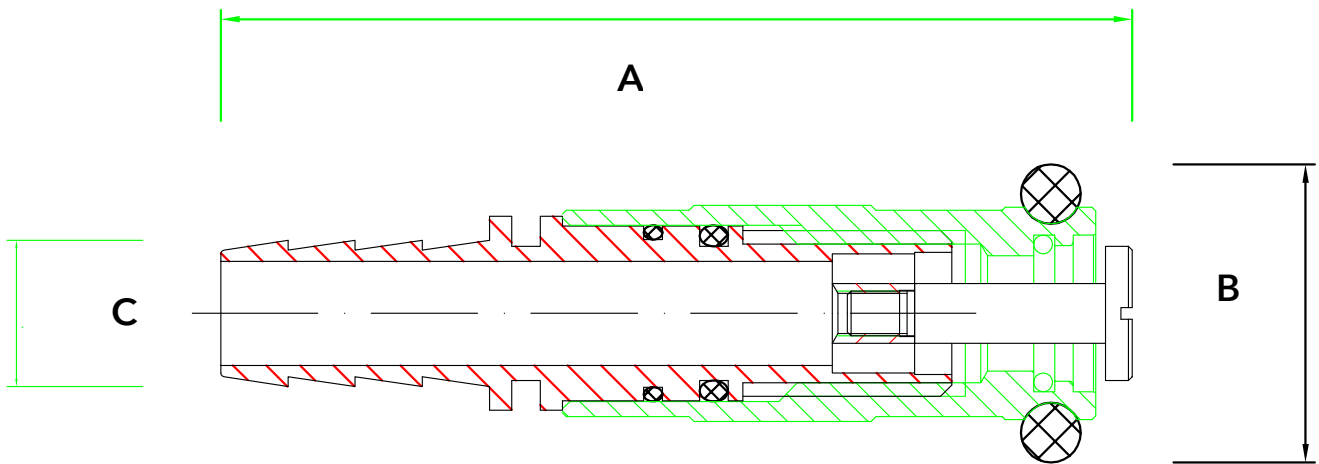
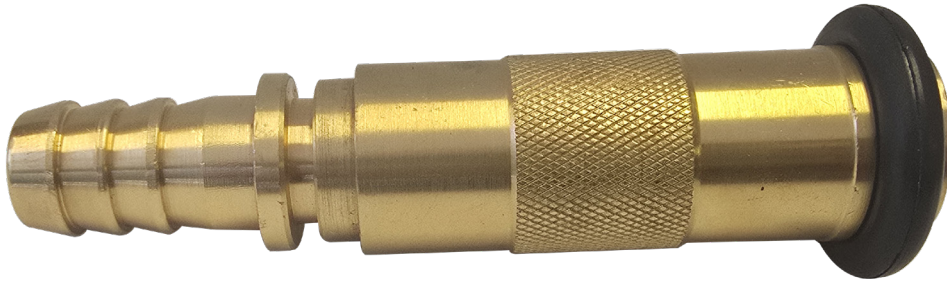
618-068



Part Number	Thread Size	A (mm)	B (mm)	C (inch)	D (mm)
618-066	1" Female BSP	50	78	1"	40
618-067	1½" Female BSP	67	112	1½"	57
618-068	2" Female BSP	67	112	2"	88

BRASS ADJUSTABLE HOSE NOZZLE

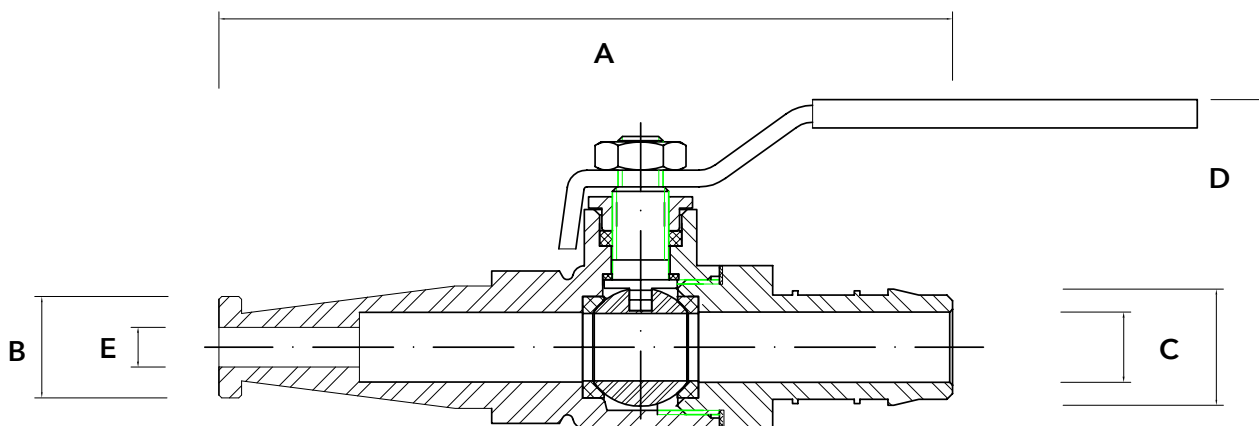
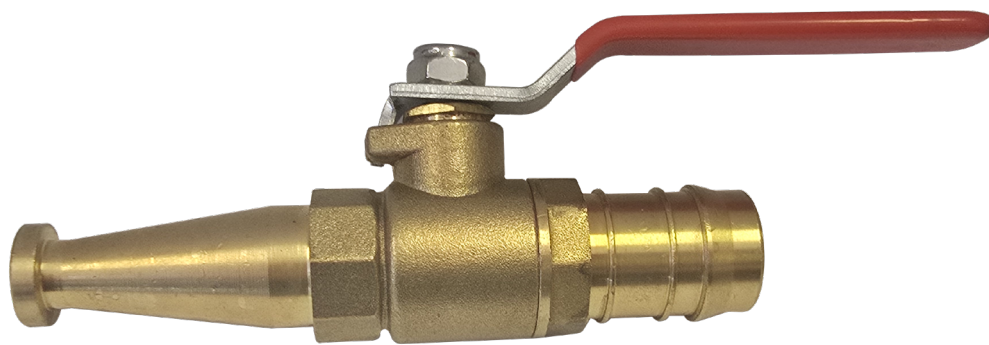
618-046 / 618-047



Part Number	Thread Size	A (mm)	B (mm)	C (mm)
618-046	3/4" HOSETAIL	127	39	19.5
618-047	1" HOSETAIL	127	39	25

BRASS VALVED DIRECTOR NOZZLE

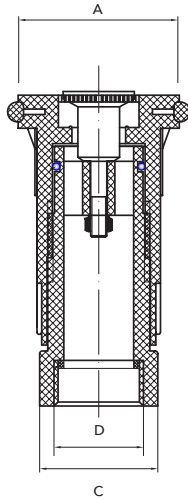
618-095 / 618-096



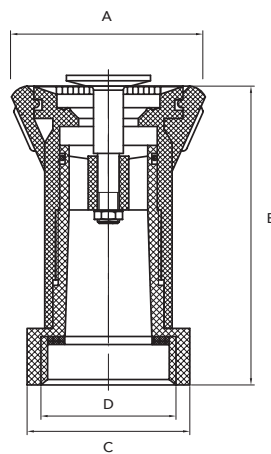
Part Number	Thread Size	A (mm)	B (mm)	C (mm)	D (mm)	E (mm)
618-095	3/4" HOSETAIL	129	18	19.5	58.5	6
618-096	1" HOSETAIL	129	18	25	58.5	7

RED POLYCARB ADJUSTABLE FOG NOZZLE

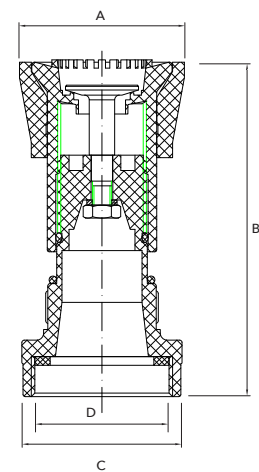
618-050



618-051

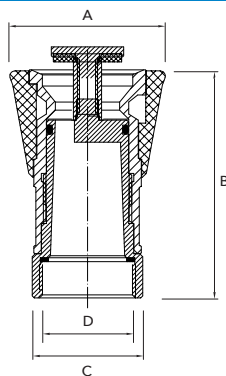


618-052



Part Number	Thread Size	A (mm)	B (mm)	C (mm)	D (inch)
618-050	1" Female BSP	69	118	44	1"
618-051	1½" Female BSP	72	112	60	1½"
618-052	2" Female BSP	71	130	68	2"

ALUMINIUM ADJUSTABLE FOG NOZZLE



Part Number	Thread Size	A (mm)	B (mm)	C (mm)	D (inch)
618-010	1½" Female BSP	79	115	55	1½"

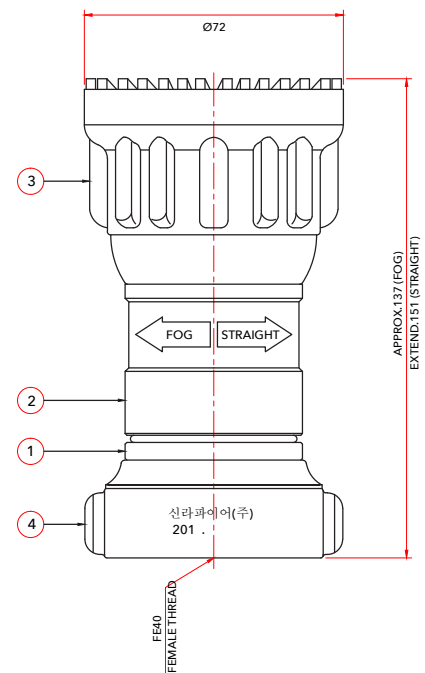
SL10NW ANODIZED ALUMINIUM BLACK/YELLOW FOG NOZZLE



These combination nozzles are ideal for use on monitors or fire hoses. It is excellent on fog and straight stream flow pattern. Most widely used type of nozzle with easy handling and light weight. Lightweight aluminium with black hard anodizing is free from corrosion. A general straight type along with adjustable flow type is available.

Part Number	Thread Size	A (mm)	B-FOG (mm)	B-STR (mm)	C (inch)
618-SL10NW	1½" Female BSP	72	137	151	1½"

No.	Description	Material	Qty
1	Inlet Body	AL Alloy	1
2	Cover	AL Alloy	1
3	Protection Bumper	Yellow Rubber	1
4	Connector	AL Alloy	1



Technical Data:

Type	Fog & Straight Stream
Model No.	SL-10NW
Connection	E40
Working Pres.	0.7MPa
Material	AL Alloy
Surface	Black Hard Anodized
Flow Rate	535LPM
Weight	Approx 0.5kg (0.7MPa)
Length	Approx 137mm (FOG), 151mm (STRAIGHT)

BLUE DINGA WASH DOWN GUN



Technical Data:

Working Pressure	25 bar / 363psi
Water Temp Max	50deg
Flow Rate	25l/min @ 5 bar / 72 psi
	Shock Heat and Cold Proof

Part Number	Thread Size
618-002	1/2" Female BSP

BLUE ANKA WASH DOWN NOZZLE

618-057



618-058



618-059



Technical Data:

Body : Glass Fiber Reinforced Nylon
 O Ring: Nitrile Rubber
 Nut & Bolt: 302 Stainless Steel
 Spray Pattern: Adjustable Jet Spray & Fan Spray
 Maximum Working Pressure: 100 psi - 700 kpa (7 bar) @ 20°C

Part Number	Thread Size
618-057	1" Female BSP
618-058	1 1/4" Female BSP
618-059	1 1/2" Female BSP

BLACKOUT DIFFUSER NOZZLE



618-080



618-081 / 618-082

Technical Data:

Body :	UNC Machined Brass Bar Stock
Shell:	Injection Moulded Black UHMWPE
Bump Ring:	Black Moulded Rubber
Spray Pattern:	Fog Spray & Jet Spray

Part Number	Thread Size	Length (mm)	Width (mm)	Weight (kg)
618-080	3/4" Male BSP	118	50	0.26
618-081	1" Female BSP	125	75	0.58
618-082	1½" Female BSP	158	100	1.85