

DCC COUPLINGS



DDC COUPLINGS



Materials:

- Stainless Steel (1.4408)
- Aluminium
- Brass

Working Pressure:

- Stainless Steel = 25 bars (363 psi)
- Aluminium = 10 bars (145 psi)
- Brass WP = 16 bars (232 psi)

Test Pressure:

- Stainless Steel = 37.5 bars (544 psi)
- Aluminium = 15 bars (218 psi)
- Brass = 24 bars (348 psi)

O-rings Seal:

- FPM (-35°C / +140°C) for SS
- NBR (-30°C / +100°C) for AL

Flat Seal:

- PTFE (-25°C / +250°C)

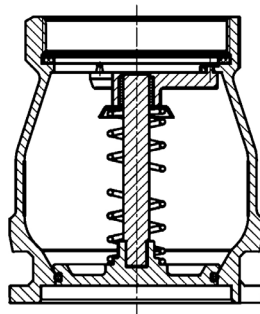
End connections:

- BSP, NPT, ANSI 150 Lbs Flange

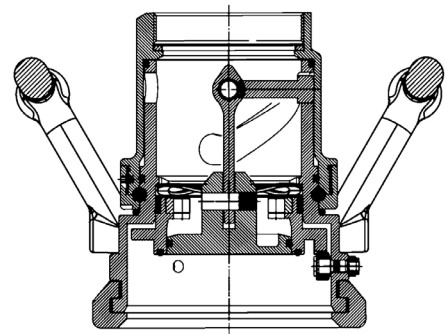
Certificates:

- ATEX , PED , 3.1 Material certificate

TANK UNIT (TU)



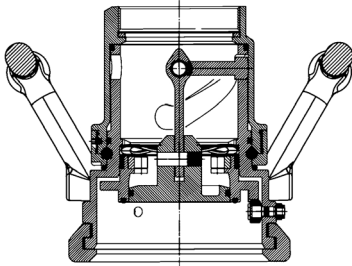
HOSE UNIT (HU)



DDC COUPLINGS

HOSE UNIT - FEMALE THREADED

HOSE UNIT (HU)

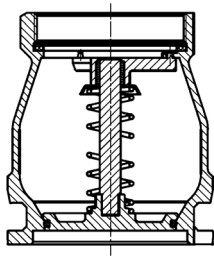


PART NUMBER	THREAD SIZE	THREAD	HEAD SIZE	MATERIAL
DB-ALB-HU-025	1"	BSP	56mm	ALUMINUM
DB-ALB-HU-050	2"	BSP	70mm	ALUMINUM
DB-ALB-HU-065	2½"	BSP	105mm	ALUMINUM
DB-ALB-HU-075	3"	BSP	119mm	ALUMINUM
DB-ALB-HU-100	4"	BSP	164mm	ALUMINUM
DB-ALB-HU-150	6"	BSP	238mm	ALUMINUM
DB-SSB-HU-025	1"	BSP	56mm	STAINLESS STEEL
DB-SSB-HU-050	2"	BSP	70mm	STAINLESS STEEL
DB-SSB-HU-065	2½"	BSP	105mm	STAINLESS STEEL
DB-SSB-HU-075	3"	BSP	119mm	STAINLESS STEEL
DB-SSB-HU-100	4"	BSP	164mm	STAINLESS STEEL
DB-SSB-HU-150	6"	BSP	238mm	STAINLESS STEEL
DB-ALN-HU-025	1"	NPT	56mm	ALUMINUM
DB-ALN-HU-050	2"	NPT	70mm	ALUMINUM
DB-ALN-HU-065	2½"	NPT	105mm	ALUMINUM
DB-ALN-HU-075	3"	NPT	119mm	ALUMINUM
DB-ALN-HU-100	4"	NPT	164mm	ALUMINUM
DB-ALN-HU-150	6"	NPT	238mm	ALUMINUM
DB-SSN-HU-025	1"	NPT	56mm	STAINLESS STEEL
DB-SSN-HU-050	2"	NPT	70mm	STAINLESS STEEL
DB-SSN-HU-065	2½"	NPT	105mm	STAINLESS STEEL
DB-SSN-HU-075	3"	NPT	119mm	STAINLESS STEEL
DB-SSN-HU-100	4"	NPT	164mm	STAINLESS STEEL
DB-SSN-HU-150	6"	NPT	238mm	STAINLESS STEEL

DDC COUPLINGS

TANK UNIT - FEMALE THREADED

TANK UNIT (TU)



PART NUMBER	THREAD SIZE	THREAD	HEAD SIZE	MATERIAL
DB-ALB-TU-025	1"	BSP	56mm	ALUMINUM
DB-ALB-TU-050	2"	BSP	70mm	ALUMINUM
DB-ALB-TU-065	2½"	BSP	105mm	ALUMINUM
DB-ALB-TU-075	3"	BSP	119mm	ALUMINUM
DB-ALB-TU-100	4"	BSP	164mm	ALUMINUM
DB-ALB-TU-150	6"	BSP	238mm	ALUMINUM
DB-SSB-TU-025	1"	BSP	56mm	STAINLESS STEEL
DB-SSB-TU-050	2"	BSP	70mm	STAINLESS STEEL
DB-SSB-TU-065	2½"	BSP	105mm	STAINLESS STEEL
DB-SSB-TU-075	3"	BSP	119mm	STAINLESS STEEL
DB-SSB-TU-100	4"	BSP	164mm	STAINLESS STEEL
DB-SSB-TU-150	6"	BSP	238mm	STAINLESS STEEL
DB-ALN-TU-025	1"	NPT	56mm	ALUMINUM
DB-ALN-TU-050	2"	NPT	70mm	ALUMINUM
DB-ALN-TU-065	2½"	NPT	105mm	ALUMINUM
DB-ALN-TU-075	3"	NPT	119mm	ALUMINUM
DB-ALN-TU-100	4"	NPT	164mm	ALUMINUM
DB-ALN-TU-150	6"	NPT	238mm	ALUMINUM
DB-SSN-TU-025	1"	NPT	56mm	STAINLESS STEEL
DB-SSN-TU-050	2"	NPT	70mm	STAINLESS STEEL
DB-SSN-TU-065	2½"	NPT	105mm	STAINLESS STEEL
DB-SSN-TU-075	3"	NPT	119mm	STAINLESS STEEL
DB-SSN-TU-100	4"	NPT	164mm	STAINLESS STEEL
DB-SSN-TU-150	6"	NPT	238mm	STAINLESS STEEL

DDC COUPLINGS

TANK UNIT - FLANGE



PART NUMBER	THREAD SIZE	FLANGE TYPE	HEAD SIZE	MATERIAL
DB-ALF-TU-025	1"	ANSI 150	56mm	Aluminium
DB-ALF-TU-050	2"	ANSI 150	70mm	Aluminium
DB-ALF-TU-065	2½"	ANSI 150	105mm	Aluminium
DB-ALF-TU-075	3"	ANSI 150	119mm	Aluminium
DB-ALF-TU-100	4"	ANSI 150	164mm	Aluminium
DB-ALF-TU-150	6"	ANSI 150	238mm	Aluminium
DB-SSF-TU-025	1"	ANSI 150	56mm	Stainless Steel
DB-SSF-TU-050	2"	ANSI 150	70mm	Stainless Steel
DB-SSF-TU-065	2½"	ANSI 150	105mm	Stainless Steel
DB-SSF-TU-075	3"	ANSI 150	119mm	Stainless Steel
DB-SSF-TU-100	4"	ANSI 150	164mm	Stainless Steel
DB-SSF-TU-150	6"	ANSI 150	238mm	Stainless Steel

DDC COUPLINGS

HOSE UNIT - FLANGE



PART NUMBER	THREAD SIZE	FLANGE TYPE	HEAD SIZE	MATERIAL
DB-ALF-HU-025	1"	ANSI 150	56mm	Aluminium
DB-ALF-HU-050	2"	ANSI 150	70mm	Aluminium
DB-ALF-HU-065	2½"	ANSI 150	105mm	Aluminium
DB-ALF-HU-075	3"	ANSI 150	119mm	Aluminium
DB-ALF-HU-100	4"	ANSI 150	164mm	Aluminium
DB-ALF-HU-150	6"	ANSI 150	238mm	Aluminium
DB-SSF-HU-025	1"	ANSI 150	56mm	Stainless Steel
DB-SSF-HU-050	2"	ANSI 150	70mm	Stainless Steel
DB-SSF-HU-065	2½"	ANSI 150	105mm	Stainless Steel
DB-SSF-HU-075	3"	ANSI 150	119mm	Stainless Steel
DB-SSF-HU-100	4"	ANSI 150	164mm	Stainless Steel
DB-SSF-HU-150	6"	ANSI 150	238mm	Stainless Steel